

## Features

- Low-threshold design for easy entry and exit.
- Molded-in textured floor.
- Water containment bead incorporated into the threshold design provides an optimum barrier, preventing water from escaping from the shower space.
- Single threshold for alcove installation.
- Coordinates with Choreograph® shower walls and other KOHLER® collections.

## Material

- Acrylic.

## Installation

- Right drain.

## Recommended Products/Accessories

- K-23726 Drain treatment
- K-23732 Tub & shower cleaner
- K-9132 Shower Drain



## Codes/Standards






- CSA B45.5/IAPMO Z124
- ASTM E162
- ASTM E662

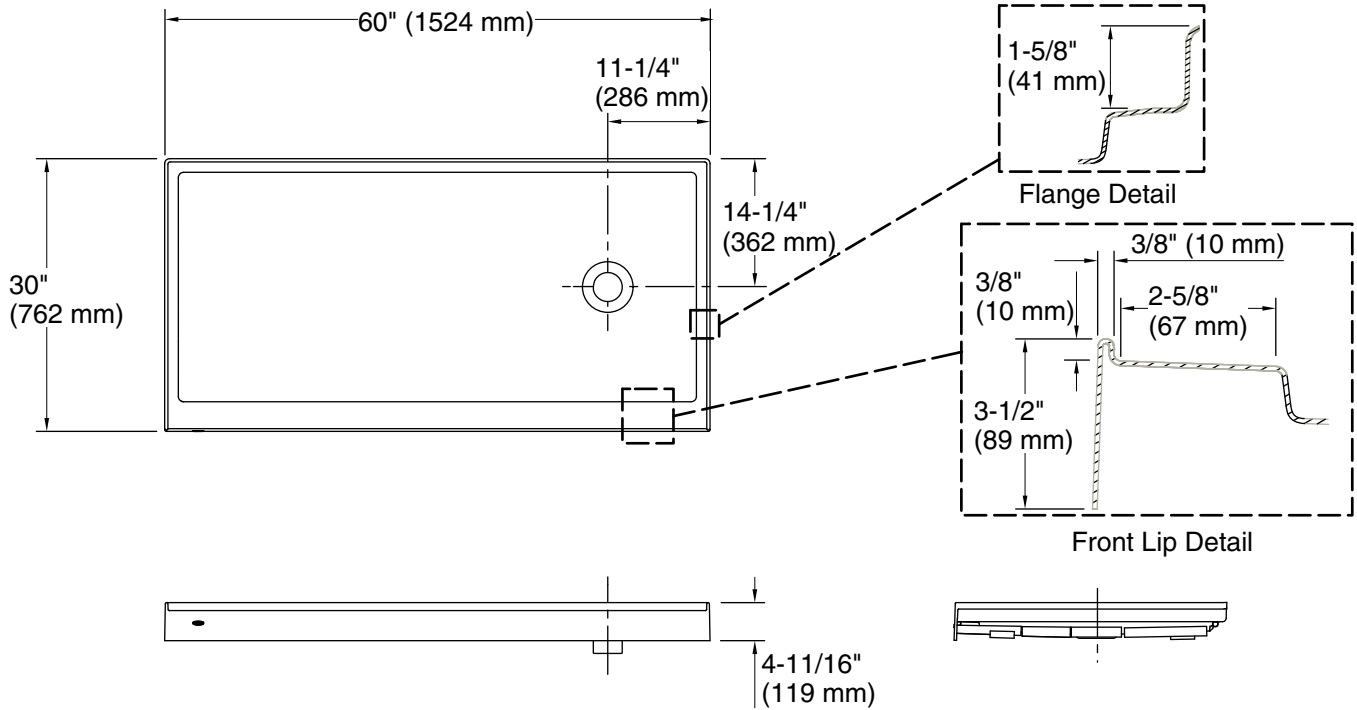
## KOHLER® Plastic Baths and Shower Bases Lifetime Limited Warranty

See website for detailed warranty information.

## Available Colors/Finishes

*Color tiles intended for reference only.*

Color	Code	Description
	0	White
	96	Biscuit
	NY	Dune
	95	Ice™ Grey
	G9	Sandbar



### Technical Information

All product dimensions are nominal.

Installation: Three-wall alcove  
 Drain location: Right  
 Weight: 59 lbs (26.8 kg)

### Notes

Measure your actual product for rough-in details.  
 Install this product according to the installation instructions.  
 Subfloor must be within 1/2" (13 mm) of level.  
 This receptor has a front lip. This should be taken into account when installing a shower door.